



US00D719601S

(12) **United States Design Patent**
Richardson et al.

(10) **Patent No.:** **US D719,601 S**

(45) **Date of Patent:** **** Dec. 16, 2014**

(54) **MOTION CAPTURE CAMERA**
(71) Applicant: **NaturalPoint, Inc.**, Corvallis, OR (US)
(72) Inventors: **James D. Richardson**, Corvallis, OR (US); **James Ryan Eder**, Columbus, OH (US); **Paul Perry Kolada**, Bexley, OH (US); **James Huang Lua**, Columbus, OH (US); **Marc W. Alley**, Albany, OR (US)

D339,365	S	*	9/1993	Urculio	D16/203
D363,731	S	*	10/1995	Alden et al.	D16/202
D396,869	S	*	8/1998	Yamakawa et al.	D16/202
D550,739	S	*	9/2007	Deng	D16/203
D594,047	S	*	6/2009	Lee	D16/202
D616,480	S	*	5/2010	Ookawa et al.	D16/218
D616,481	S	*	5/2010	Wampler	D16/219
D668,282	S	*	10/2012	Ohno et al.	D16/203
8,446,476	B2	*	5/2013	Ku	348/208.11
2010/0085474	A1	*	4/2010	Morita	348/374
2013/0242181	A1	*	9/2013	Phoon et al.	348/374

* cited by examiner

(73) Assignee: **NaturalPoint, Inc.**, Corvallis, OR (US)

(**) Term: **14 Years**

Primary Examiner — Adir Aronovich

Assistant Examiner — Ramzi Almatrahi

(21) Appl. No.: **29/462,532**

(74) *Attorney, Agent, or Firm* — Myers Andras LLP; Joseph C. Andras

(22) Filed: **Aug. 5, 2013**

(57) **CLAIM**

(51) **LOC (10) Cl.** **16-01**

The ornamental design for a motion capture camera, as shown and described.

(52) **U.S. Cl.**

USPC **D16/218**

(58) **Field of Classification Search**

DESCRIPTION

CPC G03B 17/02; G03B 19/04; G03B 17/56; G03B 17/04; G03B 15/03; H04N 5/2251; H04N 5/2252; H04N 5/2253; H04N 5/2254; H04N 5/23248; H04N 2007/145; H04N 7/141; H04N 7/142; H04N 7/147; H04N 7/148; H04N 7/15; H04N 7/152
USPC D16/200, 202–205, 208, 218, 219; 348/14.01–14.06, 143, 146, 148, 348/208.11, 373–376; 396/427, 535, 396/539–541

FIG. 1 is a front elevation view of a motion capture camera showing our new design;
FIG. 2 is a back elevation view thereof;
FIG. 3 is a top plan view thereof;
FIG. 4 is a bottom plan view thereof;
FIG. 5 is a left side elevation view thereof;
FIG. 6 is a right side elevation view thereof; and,
FIG. 7 is a front perspective view thereof.

See application file for complete search history.

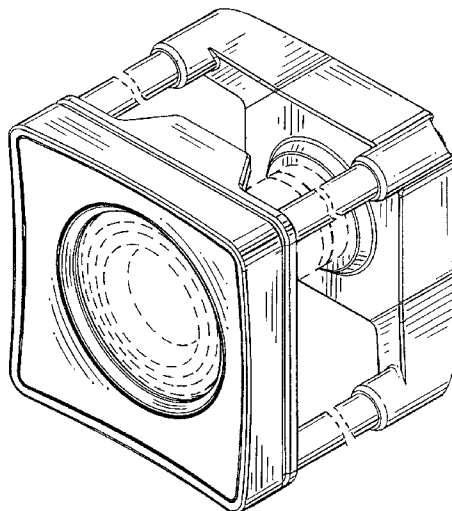
The broken lines in FIGS. 1-7 depict portions of the motion capture camera in which the design is embodied and form no part of the claimed design. The cylindrical legs in FIGS. 3-7 are shown with a broken gap to indicate indeterminate length having uniform shape and appearance throughout their length. Any portion of the article between the break lines forms no part of the claimed design.

(56) **References Cited**

U.S. PATENT DOCUMENTS

4,835,559	A	*	5/1989	Hattan	396/146
D312,649	S	*	12/1990	Sakuta	D16/203

1 Claim, 4 Drawing Sheets



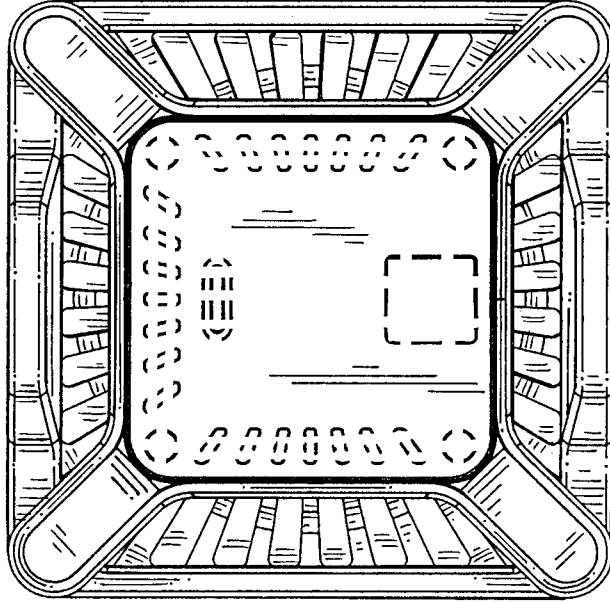


FIG. 2

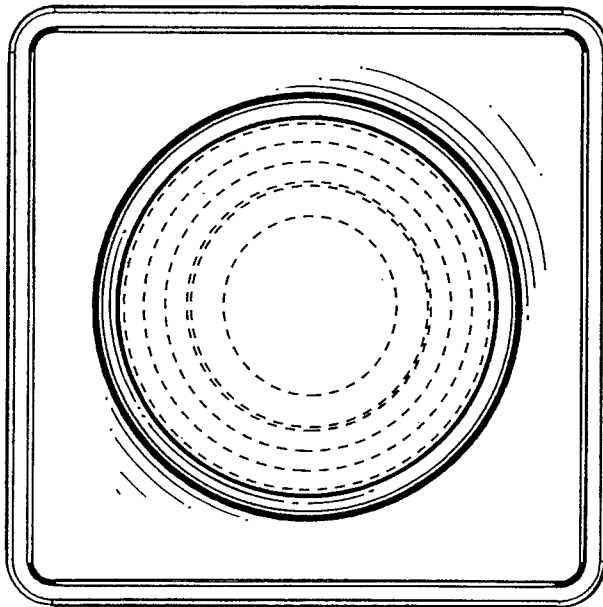


FIG. 1

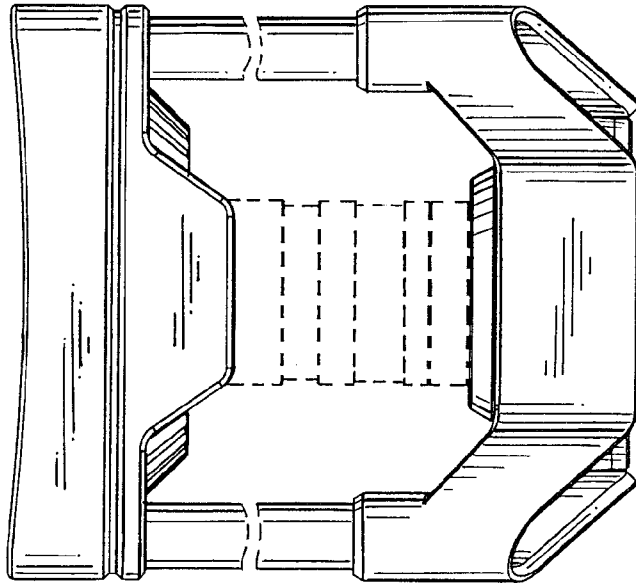


FIG. 4

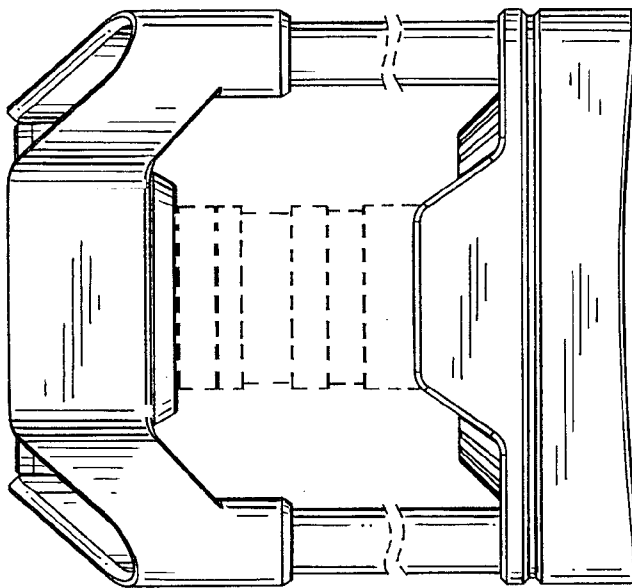


FIG. 3

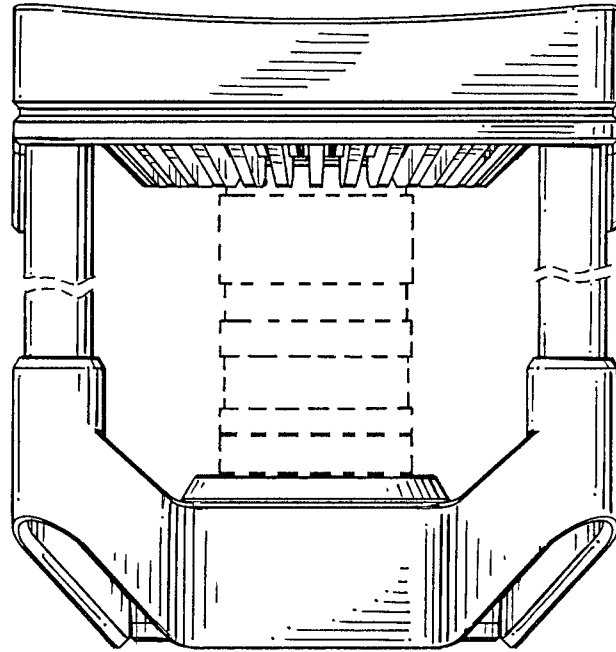


FIG. 6

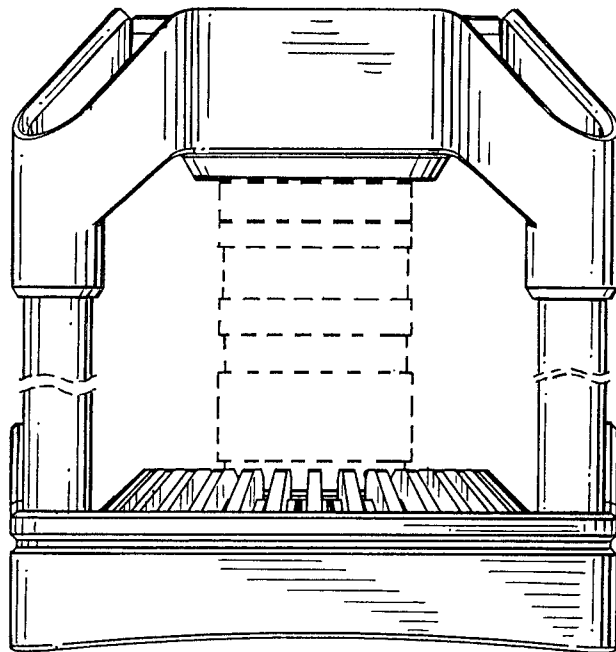


FIG. 5

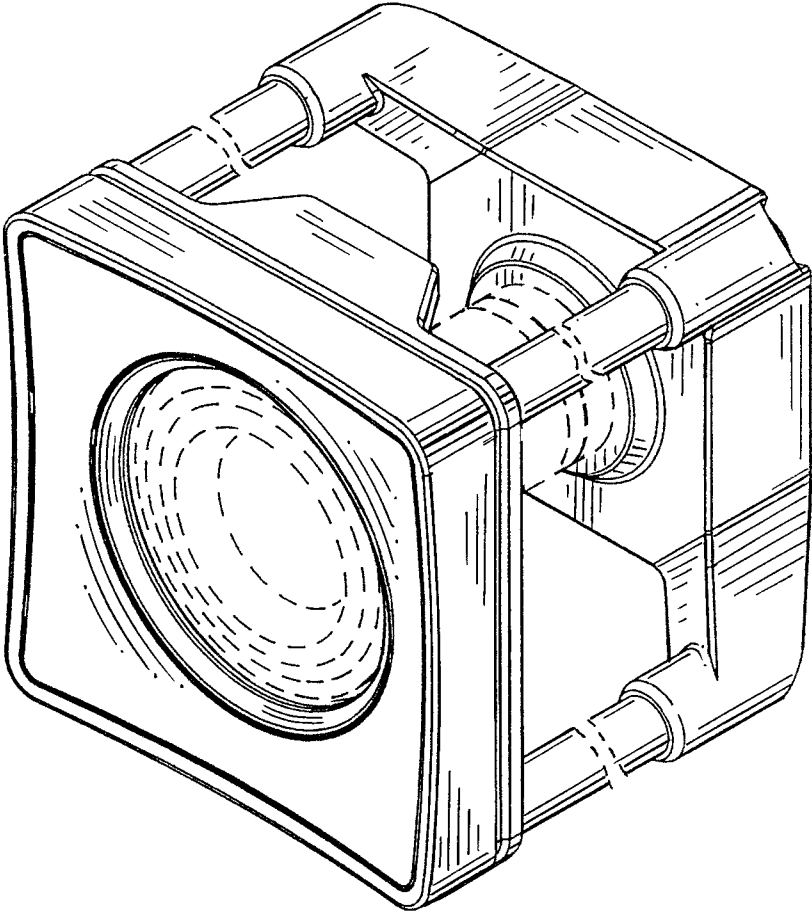


FIG. 7